



## AVK SUPPORT BUSH, PN 10/16

05/E

For insertion in PE pipes

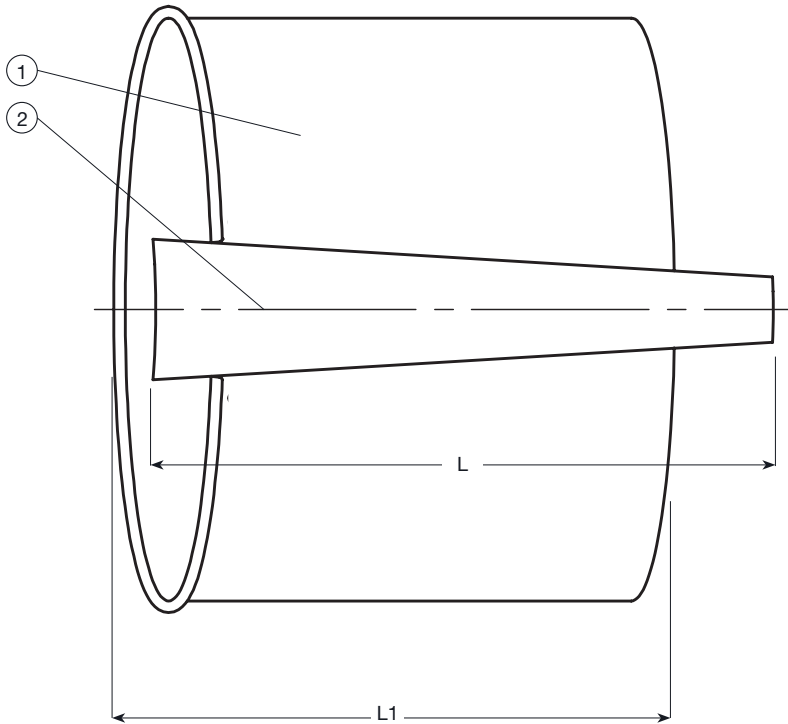
008

AVK recommends usage of a support bush in the PE pipe when using a tensile coupling or flange adaptor such as an AVK combi-flange and a Supa Plus™ or Supa Maxi™ coupling. AVK support bushes are made of stainless steel AISI 304 and are available for SDR 11 and SDR 17 PE pipes as well as 280 mm and 315 mm Bi-PVC pipes. For pipes supplied in rolls, AVK recommends using a support bush in order to ensure correct chamfering and restore the roundness of the pipe.

### Product Description:

Support bush for PE pipes





**Component List:**

1. Bush	Stainless steel AISI 304	2. Wedge	Stainless steel AISI 304
---------	--------------------------	----------	--------------------------

Components may be substituted with equivalent or higher class materials without prior notification.

**Reference Nos. and Dimensions:**

AVK ref. nos	DN mm	Pipe dia. mm	L mm	L1 mm	Theoretical weight kg
05-025-54-002 <sup>(1)</sup>	20	25	0		0.1
05-032-54-002 <sup>(1)</sup>	25	32	0		0.1
05-040-54-002 <sup>(1)</sup>	32	40	0		0.2
05-050-54-002 <sup>(1)</sup>	40	50	0	74	0.3
05-063-53-000 <sup>(2)</sup>	50	63	200	150	0.1
05-063-54-000 <sup>(3)</sup>	50	63	200	150	0.1
05-063-54-002 <sup>(1)</sup>	50	63	0	87	0.6
05-075-53-000 <sup>(2)</sup>	65	75	200	150	0.1
05-075-54-000 <sup>(3)</sup>	65	75	200	150	0.1
05-090-53-000 <sup>(2)</sup>	80	90	230	150	0.3
05-090-54-000 <sup>(3)</sup>	80	90	230	150	0.3
05-110-73-000 <sup>(2)</sup>	100	110	230	150	0.8
05-110-74-000 <sup>(3)</sup>	100	110	230	150	0.8
05-125-73-000 <sup>(2)</sup>	125	125	230	150	0.8
05-125-74-000 <sup>(3)</sup>	125	125	230	150	0.8
05-140-74-000 <sup>(3)</sup>	125	140	230	150	0.8
05-160-73-000 <sup>(2)</sup>	150	160	325	200	1.3
05-160-74-000 <sup>(3)</sup>	150	160	325	200	1.3
05-180-73-000 <sup>(2)</sup>	150	180	325	200	1.4
05-180-74-000 <sup>(3)</sup>	150	180	325	200	1.4
05-200-73-000 <sup>(2)</sup>	200	200	325	200	1.4
05-200-74-000 <sup>(3)</sup>	200	200	325	200	1.4
05-225-73-000 <sup>(2)</sup>	200	225	350	200	1.9
05-225-74-000 <sup>(3)</sup>	200	225	350	200	1.8

The designs, materials and specifications shown are subject to change without notice. This is due to the continuous development of our product programme.

AVK ref. nos	DN mm	Pipe dia. mm	L mm	L1 mm	Theoretical weight kg
05-250-73-000 <sup>(2)</sup>	250	250	350	200	2.0
05-250-74-000 <sup>(3)</sup>	250	250	350	200	1.9
05-280-73-000 <sup>(2)</sup>	250	280	375	200	1.1
05-280-74-000 <sup>(3)</sup>	250	280	375	200	0.9
05-280-79-000 <sup>(4)</sup>	250	280	375	200	1.1
05-315-73-000 <sup>(2)</sup>	300	315	375	200	2.2
05-315-74-000 <sup>(3)</sup>	300	315	375	200	2.2
05-315-79-000 <sup>(4)</sup>	300	315	375	200	1.1
05-355-73-000 <sup>(2)</sup>	350	355	400	200	2.5
05-355-74-000 <sup>(3)</sup>	350	355	400	200	2.5
05-400-73-000 <sup>(2)</sup>	400	400	400	200	2.5
05-400-74-000 <sup>(3)</sup>	400	400	400	200	2.5

<sup>(1)</sup> Made of polypropylene with a built-in chamfer. There is no wedge in this type of support bush  
<sup>(2)</sup> For PE80, PN 6.3 and PE100, PN 10, SDR 17  
<sup>(3)</sup> For PE80, PN 10-12,5 and PE100, PN 16, SDR 11  
<sup>(4)</sup> For Bi-PVC pipes, PN 16