



AVK LONG SPIGOT END GATE VALVE, PN 16

46/70

For gas steel pipes, ext. PUR, NBR wedge, CTC

010

AVK gate valves are designed with built-in safety in every detail and with full traceability of vital valve components. The wedge is fully vulcanized with AVK's own oil and gas resistant NBR rubber compound. It features an outstanding durability due to the ability of the rubber to regain its original shape, the double bonding vulcanization process and the sturdy wedge design. The triple safety stem sealing system replaceable under pressure, the high strength stem and the thorough corrosion protection safeguard the unmatched reliability.

Product Description:

Gate valve with long spigot ends for gas -20°C to +60°C

Standards:

- Designed according to EN 13774

Test/Approvals:

- Hydraulic test to DIN 3230-5, PG 3 and EN 13774
- Seat: 1.1 X PN and 0.5 with air (in bar). Body: 1.5 X PN with water, 1.1 X PN and 0.5 with air (in bar)
- Approved according to DIN-DVGW Certificate NG-4313BO0281
- Approved according to DVGW EC Certificate CE-0085BO0317
- Approved according to SVGW Certificate No. 08-068-5
- Approved according to KIWA Certificate 65139/01

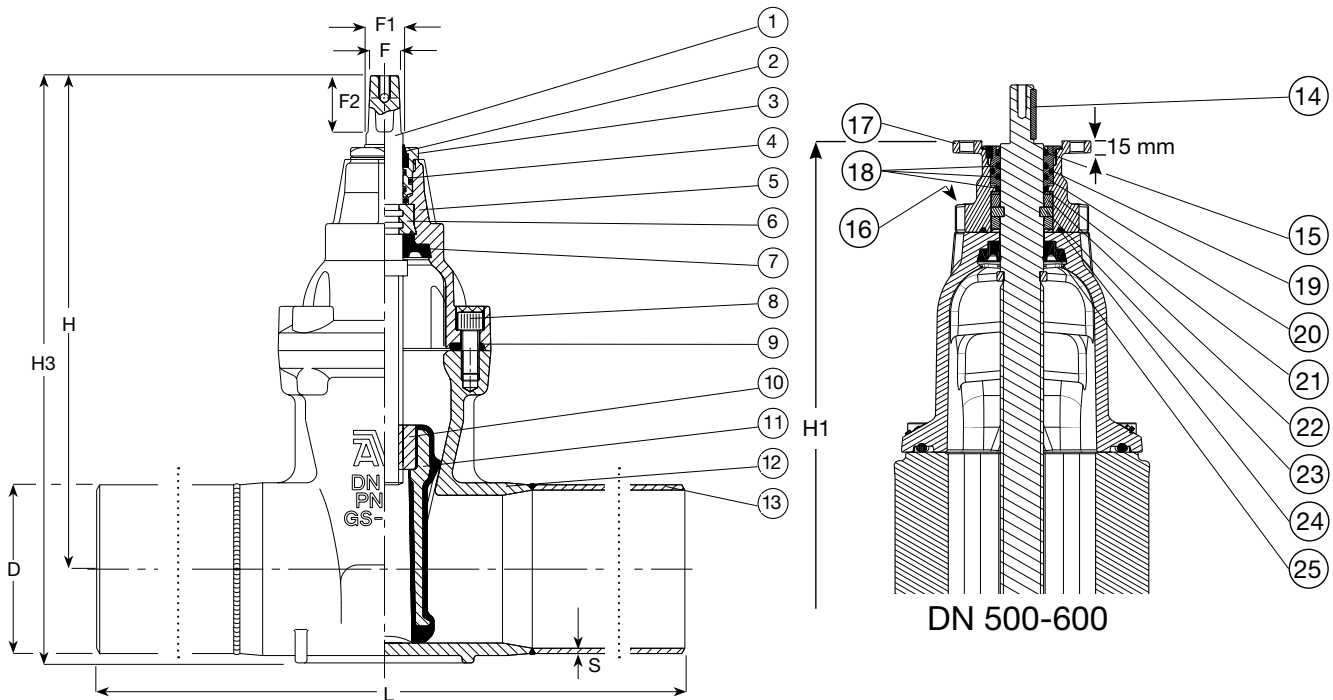
Features:

- Fixed, integral wedge nut prevents vibration and ensures durability
- Fully vulcanized wedge with guide rails, integrated wedge shoes and a large conical stem hole
- Stainless steel stem with wedge stop and rolled threads for high strength
- Triple safety stem sealing with an NBR wiper ring and four NBR O-rings in a stem seal nut of dezincification resistant brass replaceable under pressure. A rubber manchette is the main seal to the flow.
- Full circle thrust collar provides fixation of the stem and low free running torques
- Round NBR bonnet gasket fixed in a recess
- Countersunk and sealed stainless steel bonnet bolts encircled by the bonnet gasket
- Full bore
- Low operating torques
- Epoxy coating to DIN 30677-2 and AVK guidelines, PUR according to DIN 30677-2 and EN 10290 type 2, class B for extra cathodic protection externally
- DN 500-600 are fitted with stainless steel roller bearings and external polyamide wedge shoes providing low operating torques. Furthermore, with ISO top flange F14 and eye lifting bolts.

Accessories:

Stem cap, handwheel, extension spindle and street cover





Component List:

1. Stem	Stainless steel min. 13% Cr	2. Wiper ring	NBR rubber
3. Stem seal nut	Dezincification resistant brass	4. O-ring	NBR rubber
5. Bonnet	Ductile iron, GJS-500 (GGG-50)	6. Thrust collar	Dezincification resistant brass
7. Manchette	NBR rubber	8. Bonnet bolt	Stainless steel A2, sealed with hot melt
9. Bonnet gasket	NBR rubber	10. Wedge nut	Dezincification resistant brass
11. Wedge	Ductile iron with NBR rubber	12. Body	Cast steel GS-C25N
13. Welding end	Steel P 235 GH	14. Key	Stainless steel A2
15. Wiper ring	NBR rubber	16. Bolt	Stainless steel A2
17. Gland flange	Ductile iron	18. O-ring	NBR rubber
19. O-ring	NBR rubber	20. Stem seal nut	Dezincification resistant brass
21. Thrust washer	Stainless steel	22. Roller bearing	Stainless steel
23. Thrust collar	Stainless steel	24. O-ring	NBR rubber
25. Rubber manchette	NBR rubber		

Components may be substituted with equivalent or higher class materials without prior notification.

Reference Nos. and Dimensions:

AVK ref. nos	DN mm	D mm	Product PN Class	H mm	H1 to center bore mm	H3 mm	L mm	F mm	F1 mm	F2 mm	S mm	Theoretic. weight kg
46-050-70-01280	50	60	PN16	241	-	279	570	14	16	29	2,9	13
46-080-70-01280	80	89	PN16	297	-	351	550	17	20	34	3	16
46-100-70-01280	100	114	PN16	334	-	398	520	19	22	38	4	22
46-150-70-01280	150	168	PN16	448	-	538	530	19	22	38	5	38
46-200-70-01280	200	219	PN16	562	-	680	570	24	28	42	6	61
46-250-70-01280	250	273	PN16	664	-	811	590	27	31	47	6	86

The designs, materials and specifications shown are subject to change without notice. This is due to the continuous development of our product programme.

AVK ref. nos	DN mm	D mm	Product PN Class	H mm	H1 to center bore mm	H3 mm	L mm	F mm	F1 mm	F2 mm	S mm	Theoretic. weight kg
46-300-70-01280	300	324	PN16	740	-	911	620	27	31	47	7	126
46-400-70-01380	400	406	PN16	939	-	1139	670	32	37	55	9	199
46-500-70-01380 ⁽¹⁾	500	508	PN16	1133	1062	1446	720	30	-	75	11	526
46-600-70-01380 ⁽¹⁾	600	610	PN16	1276	1205	1646	770	30	-	75	13	750

⁽¹⁾ With F14 top flange