



## AVK SURFACE BOX FOR GATE VALVES, "CLASSIC"

80/34

For gas, to DIN 3581, fixed height, body of PA+/ lid of GG

01

AVK offers a very wide range of street covers and surface boxes in fixed, floating and height adjustable designs. The surface boxes with housing of PA offer the advantages of prevention of freezing during winter as well as noise absorption. The lightweight design makes handling easy and the ribs in the housing ensure optimal fixation in the road foundation. The surface boxes are available as lockable to prevent theft.

### Product Description:

Surface box for gate valves acc. to DIN 3581 for gas to max. 250° C

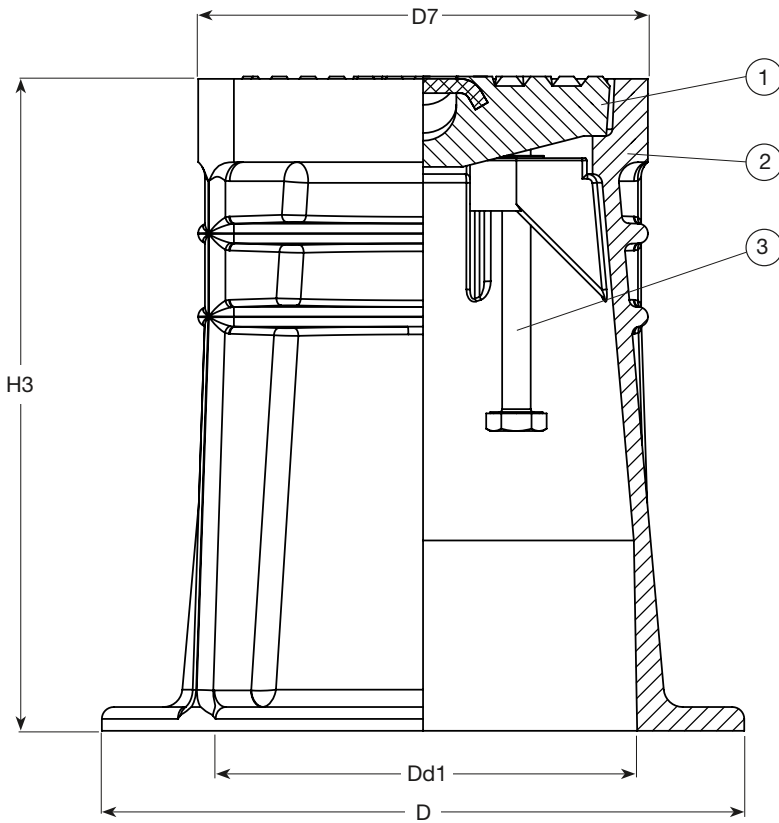
### Test/Approvals:

- Approved according to DVGW Certificate DG-4531BP0133

### Features:

- Body of PA+
- Lid of cast iron with black primer
- Bolt of stainless steel A2
- Withstand traffic loads according to DIN 1072
- Optionally lockable or with locking clip on bolt for installation in places with fast heavy traffic
- Standard lid inscription "GAS"





**Component List:**

1. Lid	Grey cast iron, GJL-200 (GG-20)	2. Body	PA+
3. Bolt	Stainless Steel A2		

Components may be substituted with equivalent or higher class materials without prior notification.

**Reference Nos. and Dimensions:**

AVK ref. nos	D	D7	Dd1	H3	Theoretical weight kg
	mm	mm	mm	mm	
80-34-000-0000	272	189	180	276	6.0