

**Suitable for repairs of steel, cast iron, brass, asbestos cementos and plastic pipes.
Clamp is suitable for total break.**

Use:

For water, sewage and gas.
Temperature: -/ - 30°C up to max.110°C

Options:

Several lengths and measures.
Use of several materials for clamps and rubber sealing
Flanged branches (DN 50 - DN 500) / male or female thread (1/2" - 4").
Clamp can be supplied with support plate, fingers or bolts welded with an interval of 50 mm.

Quality:

Supplier certified according to NEN-EN-ISO 9001 certificate.

Materials:

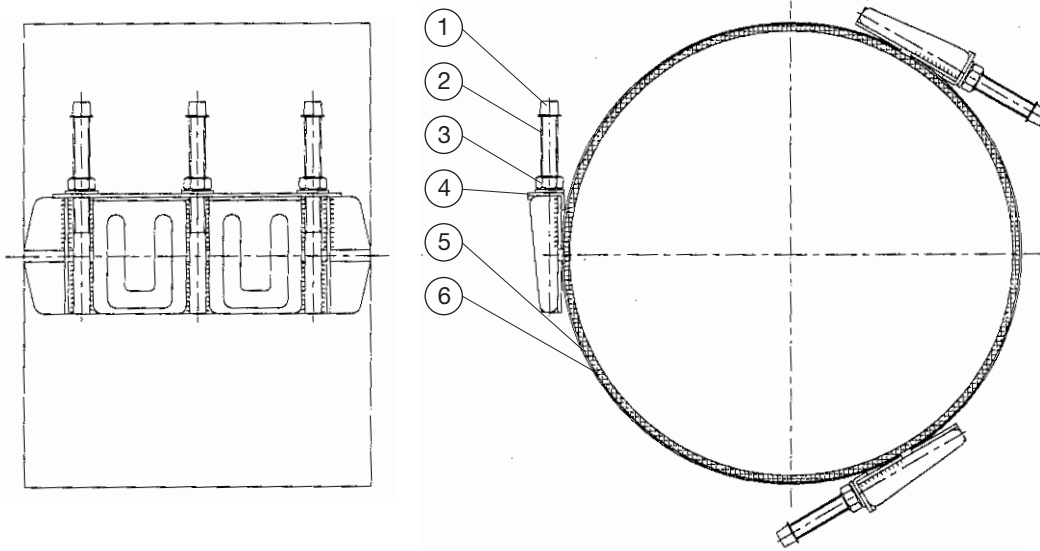
Clamp	Stainless steel AISI 304 or AISI 316
Rubber sealing	NBR, SBR or EPDM
Bolts	Stainless steel A2, Teflon coated
Nuts and washers	Stainless steel A4
Protection cap	Plastic



Suitable for repairs of steel, cast iron, brass, asbestos cementos and plastic pipes.
Clamp is suitable for total break.

Component list

1. Protection cap
2. Bolt
3. Nut
4. Washer
5. Rubber sealing
6. Clamp



Article no.	Range in mm	Article no.	Range in mm
729-0300-3X02YY	270-300	729-0660-3X02YY	630-660
729-0340-3X02YY	310-340	729-0670-3X02YY	640-670
729-0370-3X02YY	340-370	729-0680-3X02YY	650-680
729-0395-3X02YY	365-395	729-0690-3X02YY	660-690
729-0425-3X02YY	395-425	729-0700-3X02YY	670-700
729-0450-3X02YY	420-450	729-0710-3X02YY	680-710
729-0470-3X02YY	440-470	729-0720-3X02YY	690-720
729-0480-3X02YY	450-480	729-0730-3X02YY	700-730
729-0505-3X02YY	475-505	729-0740-3X02YY	710-740
729-0530-3X02YY	500-530	729-0750-3X02YY	720-750
729-0540-3X02YY	510-540	729-0760-3X02YY	730-760
729-0550-3X02YY	520-550	729-0770-3X02YY	740-770
729-0560-3X02YY	530-560	729-0780-3X02YY	750-780
729-0570-3X02YY	540-570	729-0790-3X02YY	760-790
729-0590-3X02YY	560-590	729-0800-3X02YY	770-800
729-0600-3X02YY	570-600	729-0810-3X02YY	780-810
729-0610-3X02YY	580-610	729-0820-3X02YY	790-820
729-0620-3X02YY	590-620	729-0830-3X02YY	800-830
729-0630-3X02YY	600-630	729-0840-3X02YY	810-840
729-0640-3X02YY	610-640		
729-0650-3X02YY	620-650		

X: Length	0 = 100 mm	4 = 300 mm	YY: Thread	06 = 1/2"female	07 = 1/2"male	16 = 2"female	17 = 2"male
	1 = 150 mm	5 = 400 mm		08 = 3/4"female	09 = 3/4"male	18 = 2 1/2"female	19 = 2 1/2"male
	2 = 200 mm	6 = 500 mm		10 = 1"female	11 = 1"male	20 = 3"female	21 = 3"male
	3 = 250 mm	7 = 600 mm		12 = 1 1/4"female	13 = 1 1/4"male	22 = 4"female	23 = 4"male
				14 = 1 1/2"female	15 = 1 1/2"male		

NB: Other ranges available on request.