

AVK DOUBLE BAND REPAIR CLAMPS, TYPE FSA20 series 729/D

Suitable for repairs of steel, cast iron, asbestos cement and plastic pipes. Clamp is suitable for total break.

Use:

For water, sewage and gas.
Temperature: -/ - 30°C
up to max. +110°C

Options:

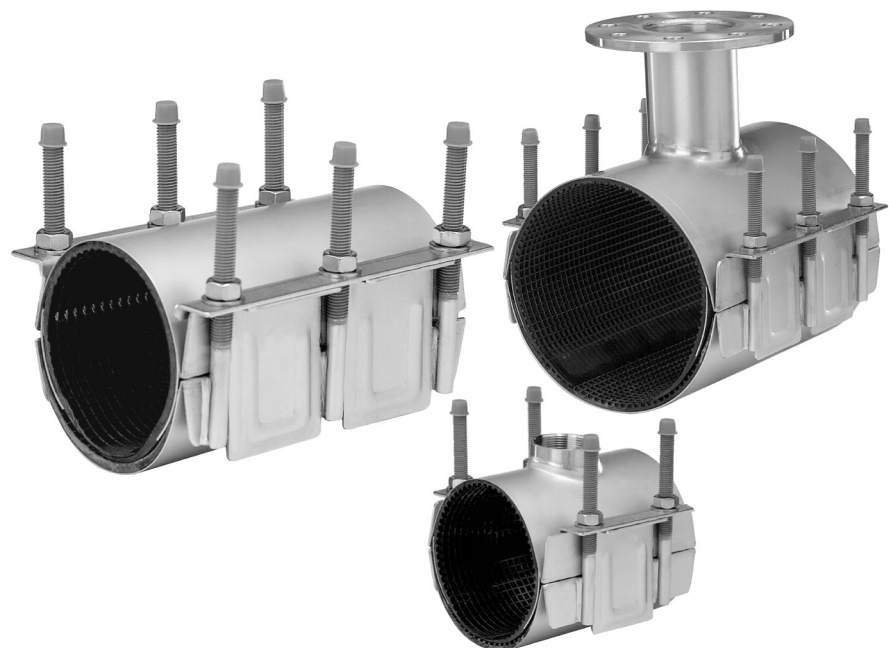
Several lengths and measures.
Use of several materials for clamps and rubber sealing.
Flanged branches (DN 50-DN 500) / male or female thread (1/2"-4").
Clamp can be supplied with support plate, fingers or bolts welded with interval of 50 mm.

Quality:

Supplier certified according to NEN-EN-ISO 9001 certificate.

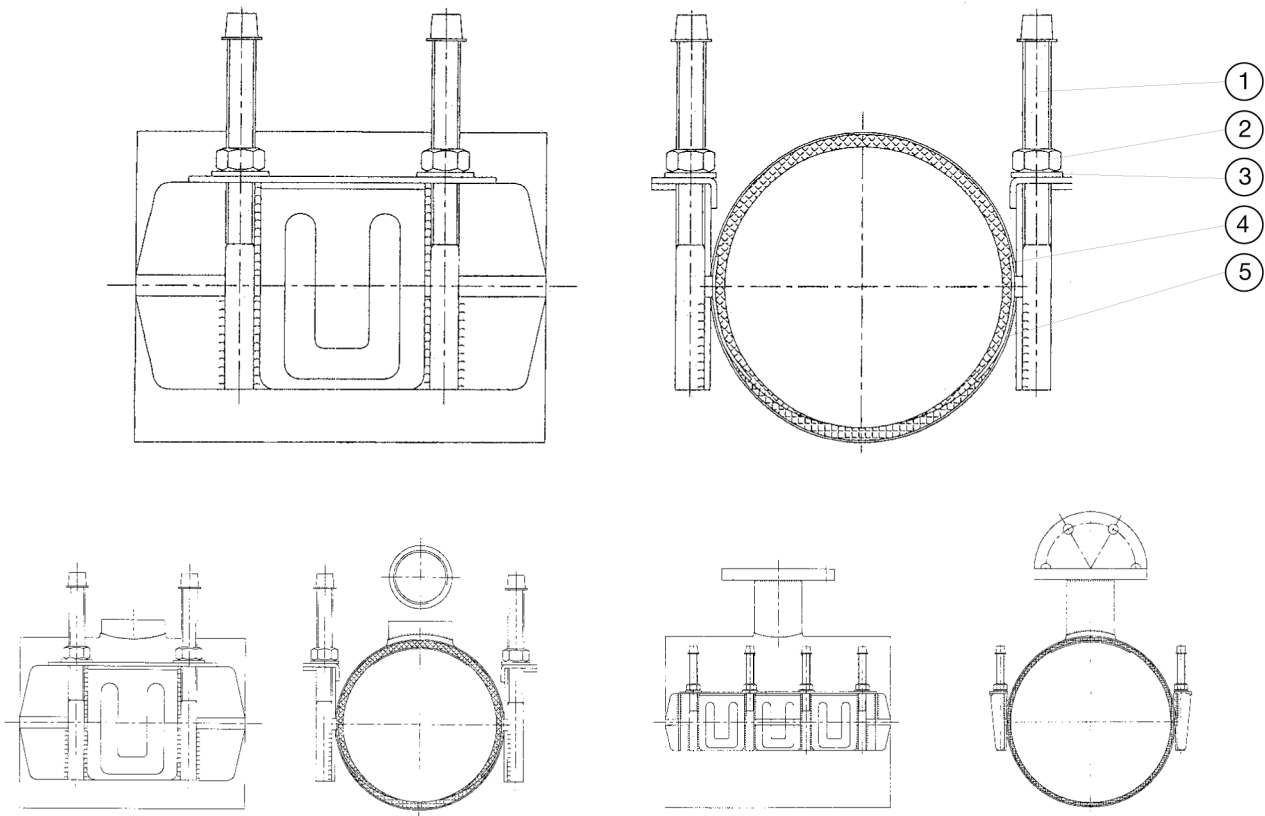
Materials:

Clamp	Stainless steel AISI 304 or AISI 316
Rubber sealing	NBR, SBR or EPDM
Bolts	Stainless steel A2, Teflon coated
Nuts and washers	Stainless steel A4
Protection cap	Plastic



Suitable for repairs of steel, cast iron, asbestos cementos and plastic pipes. Clamp is suitable for total break.

1. Bolt
2. Nut
3. Washer
4. Rubber sealing
5. Clamp



ref. nos	Sealing range mm	ref. nos	Sealing range mm	ref. nos	Sealing range mm			
729-0110-2X02YY	88-110	729-0238-2X02YY	216-238	729-0430-2X02YY	410-430			
729-0120-2X02YY	100-120	729-0246-2X02YY	225-246	729-0440-2X02YY	420-440			
729-0128-2X02YY	108-128	729-0250-2X02YY	230-250	729-0455-2X02YY	435-455			
729-0134-2X02YY	114-134	729-0260-2X02YY	240-260	729-0470-2X02YY	450-470			
729-0140-2X02YY	120-140	729-0270-2X02YY	250-270	729-0488-2X02YY	468-488			
729-0150-2X02YY	130-150	729-0289-2X02YY	269-289	729-0510-2X02YY	490-510			
729-0155-2X02YY	135-155	729-0293-2X02YY	273-293	729-0530-2X02YY	510-530			
729-0160-2X02YY	140-160	729-0302-2X02YY	282-302	729-0540-2X02YY	520-540			
729-0180-2X02YY	159-180	729-0315-2X02YY	295-315	729-0570-2X02YY	550-570			
729-0185-2X02YY	165-185	729-0335-2X02YY	315-335	729-0590-2X02YY	570-590			
729-0189-2X02YY	168-189	729-0344-2X02YY	322-344	729-0610-2X02YY	590-610			
729-0190-2X02YY	170-190	729-0358-2X02YY	337-358	729-0650-2X02YY	630-650			
729-0196-2X02YY	176-196	729-0367-2X02YY	347-367					
729-0210-2X02YY	190-210	729-0385-2X02YY	365-385					
729-0217-2X02YY	195-217	729-0402-2X02YY	382-402					
729-0230-2X02YY	210-230	729-0420-2X02YY	396-420					
X: Length		YY: Thread:		YY: Thread:				
0 = 100 mm	4 = 300 mm	06 = 1/2" female	07 = 1/2" male	16 = 2" female	17 = 2" male	40 = 2"	55 = 6"	76 = 20"
1 = 150 mm	5 = 400 mm	08 = 3/4" female	09 = 3/4" male	18 = 2 1/2" female	19 = 2 1/2" male	43 = 2 1/2"	58 = 8"	
2 = 200 mm	6 = 500 mm	10 = 1" female	11 = 1" male	20 = 3" female	21 = 3" male	46 = 3"	61 = 10"	
3 = 250 mm	7 = 600 mm	12 = 1 1/4" female	13 = 1 1/4" male	22 = 4" female	23 = 4" male	49 = 4"	64 = 12"	
		14 = 1 1/2" female	15 = 1 1/2" male	52 = 5"	70 = 16"			