



## AVK SUPA MAXI™ END CAP, PN 10

634/70

For gas, universal and tensile, NBR sealing

004



AVK's Supa Maxi™ range of universal tensile couplings sets a new standard. The patented SupaGrip™ sealing support system with flexible bracket ensures full support of the gasket and full tensile strength on all pipe types up to PN 10. Supa Maxi™ couplings are very easy to mount with the possibility of  $\pm 4^\circ$  angular deflection, the permanent protection caps, the lifting eye and the fact that they are tightened from the sleeve side with no need for re-tightening the bolts.

### Product Description:

Supa Maxi™ end cap - universal & tensile - A2 bolts / A4 nuts for gas -20°C to +70°C

### Standards:

- Designed according to EN 14525

### Features:

- Patented SupaGrip™ sealing support system with flexible bracket ensures full support of the gasket even at minimum pipe size
- Full tensile strength on all pipes is ensured by two different metal grip segments - every other of gunmetal for PE/PVC and of hardened stainless steel for cast iron/ductile iron/steel pipes. For PE pipes a support bush is to be used.
- Metal grip segments are mounted with pins for maximum durability
- $\pm 4^\circ$  angular deflection at max. 1.5 x PN 10
- Large tolerance ranges
- All DN's are for PN 10
- Ductile iron body and bracket of cast steel, epoxy coated according to DIN 30677-2 and GSK approved
- Gasket of NBR rubber approved by Gastec
- Bolts of A2 and nuts of A4 are anti-friction coated to prevent galling
- Permanent protection cap protects the coupling during handling and installation. They are yellow to indicate gas.
- The pipe will not move inwards when tightening
- Bolts are tightened from the sleeve side for full access when space is limited
- Re-tightening of bolts is not necessary
- Lifting eye in DN 100-300
- Design pressure 29 bar according to EN 14525. Working pressure max. 10 bar. Max. test pressure according to pipe standard.

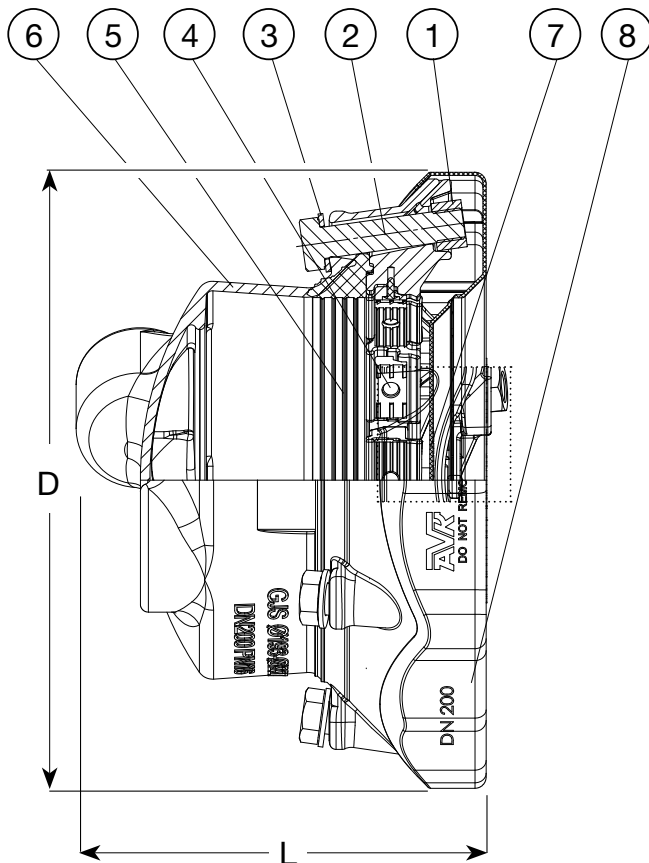


# AVK SUPA MAXI™ END CAP, PN 10

634/70

For gas, universal and tensile, NBR sealing

004



DN	
50	3 x M14 x 75 mm
65	3 x M16 x 75 mm
80	3 x M16 x 75 mm
100	4 x M16 x 75 mm
125	4 x M16 x 75 mm
150	4 x M16 x 90 mm
200	6 x M20 x 100 mm
225	6 x M20 x 100 mm
250	6 x M20 x 100 mm
300	8 x M20 x 100 mm

## Component List:

1. Nut	Acid resistant stainless steel A4	2. Bolt	Stainless steel A2
3. Washer	Stainless steel A2	4. Grip segment	Gunmetal RG5 and stainless steel
5. Gasket	NBR rubber approved by Gastec	6. Sleeve	Ductile iron GJS-450 (GGG-45)
7. Bracket	Cast steel	8. Protection cap	Recyclable PE

Components may be substituted with equivalent or higher class materials without prior notification.

## Reference Nos. and Dimensions:

AVK ref. nos	DN mm	Product PN Class	T mm	L mm	D mm	Theoretic. weight kg
634-071-70-012 <sup>(1)</sup>	50	PN10	48 - 71	195	200	4.0
634-091-70-012 <sup>(1)</sup>	65	PN10	69 - 91	218	226	5.0
634-091-70-032 <sup>(2)</sup>	65	PN10	69 - 91	218	226	5.0
634-106-70-012 <sup>(1)</sup>	80	PN10	82 - 106	220	235	5.5
634-106-70-032 <sup>(2)</sup>	80	PN10	82 - 106	220	235	5.5
634-133-70-012 <sup>(1)</sup>	100	PN10	104 - 133	230	268	8.0
634-133-70-032 <sup>(2)</sup>	100	PN10	104 - 133	230	268	8.0
634-161-70-012 <sup>(1)</sup>	125	PN10	132 - 161	220	285	9.0
634-161-70-032 <sup>(2)</sup>	125	PN10	132 - 161	220	285	9.0
634-188-70-012 <sup>(1)</sup>	150	PN10	159 - 188	238	340	11
634-188-70-032 <sup>(2)</sup>	150	PN10	159 - 188	238	340	11
634-227-70-012 <sup>(1)</sup>	200	PN10	193 - 227	259	389	16
634-227-70-032 <sup>(2)</sup>	200	PN10	193 - 227	259	389	16
634-257-70-012 <sup>(1)</sup>	225	PN10	224 - 257	277	437	19
634-257-70-032 <sup>(2)</sup>	225	PN10	224 - 257	277	437	19
634-301-70-012 <sup>(1)</sup>	250	PN10	266 - 301	272	476	22
634-301-70-032 <sup>(2)</sup>	250	PN10	266 - 301	272	476	22
634-356-70-012 <sup>(1)</sup>	300	PN10	314 - 356	300	545	29
634-356-70-032 <sup>(2)</sup>	300	PN10	314 - 356	300	545	29

The designs, materials and specifications shown are subject to change without notice. This is due to the continuous development of our product programme.

AVK ref. nos	DN mm	Product PN Class	T mm	L mm	D mm	Theoretic. weight kg
<sup>(1)</sup> 1 1/4" BSP thread, in line						
<sup>(2)</sup> 2" BSP thread, in line						